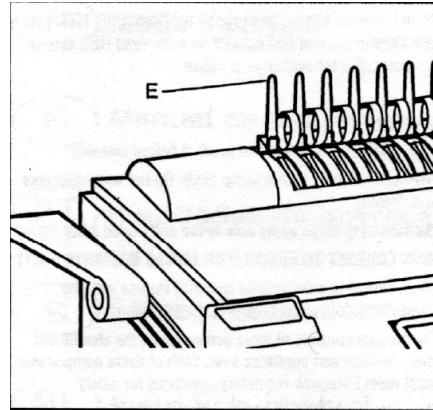
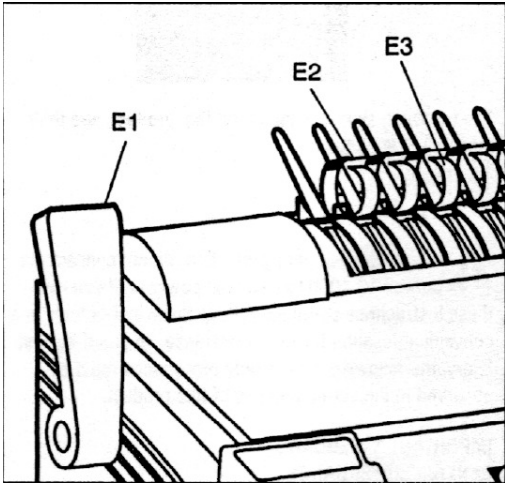
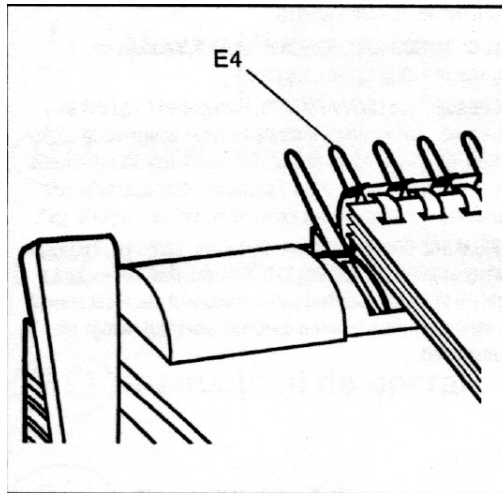


Load the comb onto prongs (E) and make sure the open side of the comb element is pointing upward.

Open the combs by rotating the side lever towards you.



Load the pre-punched sheets onto the comb (you may need some practice if you haven't done this before.) Please note: if you have many sheets you may need to load several times.



Rotate the binding handle back to close the comb, then remove the book.